

Silicon PNP Power Transistors

2N6132 2N6133 2N6134

DESCRIPTION

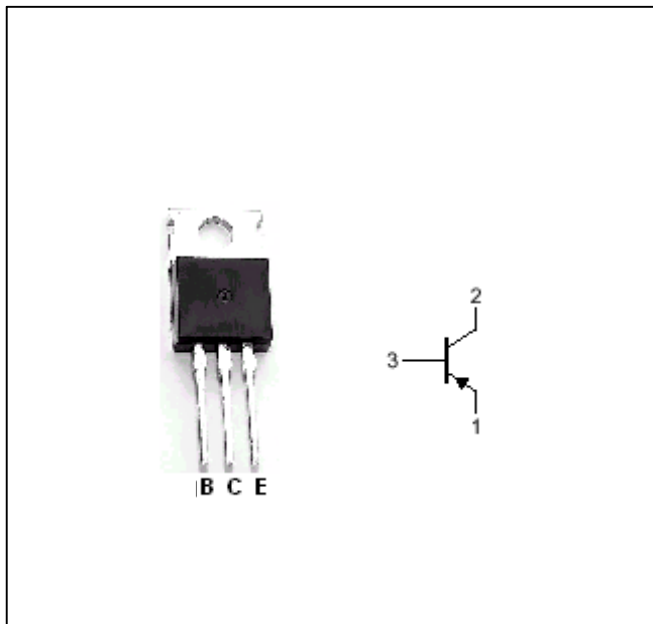
- With TO-220 package
- High power dissipation
- Complement to NPN type :
2N6129 2N6130 2N6131

APPLICATIONS

- Power amplifier and medium speed switching applications

PINNING

PIN	DESCRIPTION
1	Emitter
2	Collector;connected to mounting base
3	Base



Absolute maximum ratings(Ta=25)

SYMBOL	PARAMETER	CONDITIONS	VALUE	UNIT
V _{CBO}	Collector-base voltage	2N6132	40	V
		2N6133	60	
		2N6134	80	
V _{CEO}	Collector-emitter voltage	2N6132	40	V
		2N6133	60	
		2N6134	80	
V _{EBO}	Emitter-base voltage	Open collector	5	V
I _C	Collector current		7	A
I _B	Base current		3	A
P _T	Total power dissipation	T _C =25	50	W
T _j	Junction temperature		150	
T _{stg}	Storage temperature		-65~150	

THERMAL CHARACTERISTICS

SYMBOL	PARAMETER	MAX	UNIT
R _{th j-c}	Thermal resistance from junction to case	2.5	/W

Silicon PNP Power Transistors

2N6132 2N6133 2N6134

CHARACTERISTICS

T_j=25 unless otherwise specified

SYMBOL	PARAMETER	CONDITIONS	MIN	TYP.	MAX	UNIT
V _{CE0(SUS)}	Collector-emitter sustioning voltage	2N6132	40			V
		2N6133	60			
		2N6134	80			
V _{CEsat}	Collector-emitter saturation voltage	2N6132			1.4	V
		2N6133				
		2N6134			1.8	
V _{BE}	Base-emitter on voltage	I _C =2.5A ; V _{CE} =4V			1.4	V
I _{CEV}	Collector cut-off current	2N6132			0.5 3.0	mA
		2N6133			0.5 3.0	
		2N6134			0.5 3.0	mA
I _{EBO}	Emitter cut-off current	V _{EB} =5V; I _C =0			1.0	mA
h _{FE}	DC current gain	I _C =2.5A ; V _{CE} =4V	20		100	
f _T	Transition frequency	I _C =0.2A ; V _{CE} =4V	2.5			MHz

Silicon PNP Power Transistors

2N6132 2N6133 2N6134

PACKAGE OUTLINE

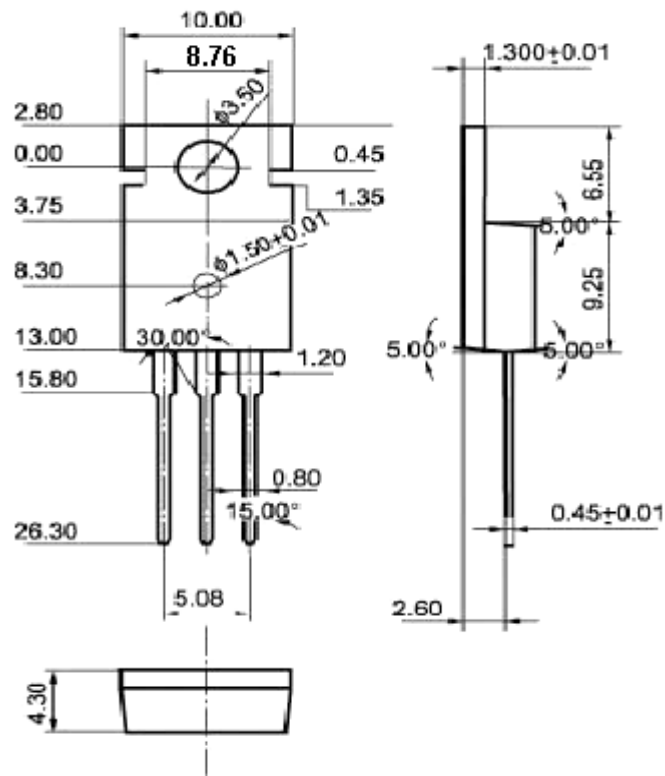


Fig.2 Outline dimensions(unindicated tolerance: ± 0.10 mm)